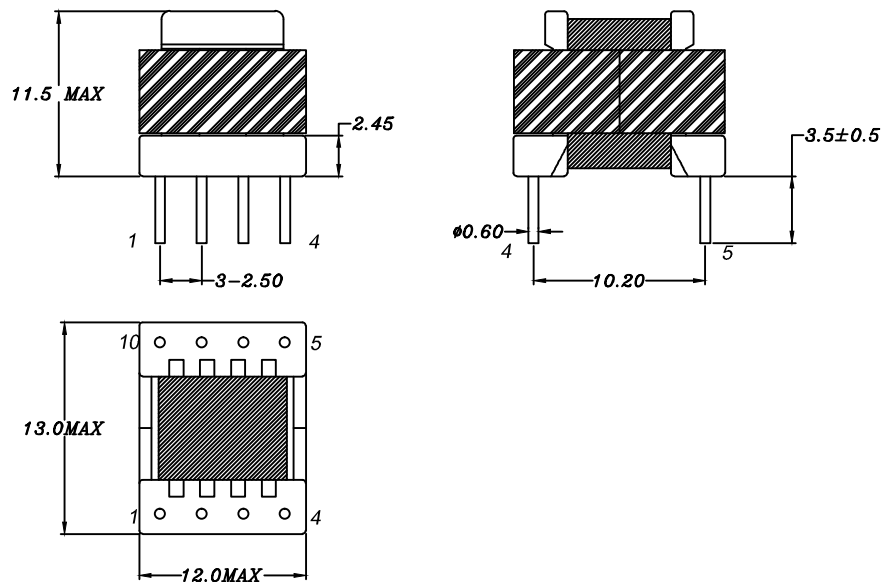


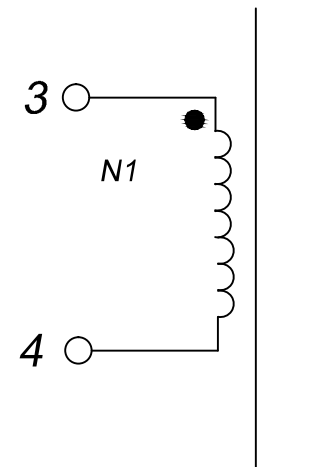
CUSTOMER TERMINAL	ROHS	Lead (Pb) -free
	YES	YES



1. Mechanical Dimensions



2. Schematic Diagram



3. Material List

Core:FW40-EE10/11/5
 Bobbin:FWB1012(4+4P)
 Wire:2UEW
 Operating Temperature: -30 to 115°C

4. Electrical Specification

Inductance: $L(3-4) = 4.0\text{mH} \pm 10\% \text{ 1.0KHZ 1.0V}$

REV.	DATE	 Convention Placement	DRW.	Drawing Title: TRANSFORMER Customer P/N:	Part No:
0	09/11		CHK.		FWPTEE10V402K
RoHS		www.ferriwo.com	APP.		Specification Sheet 1 of 1